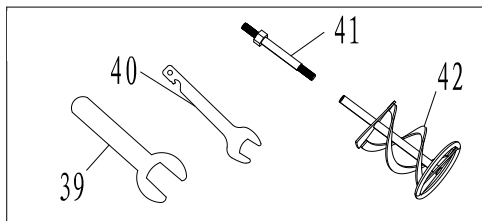
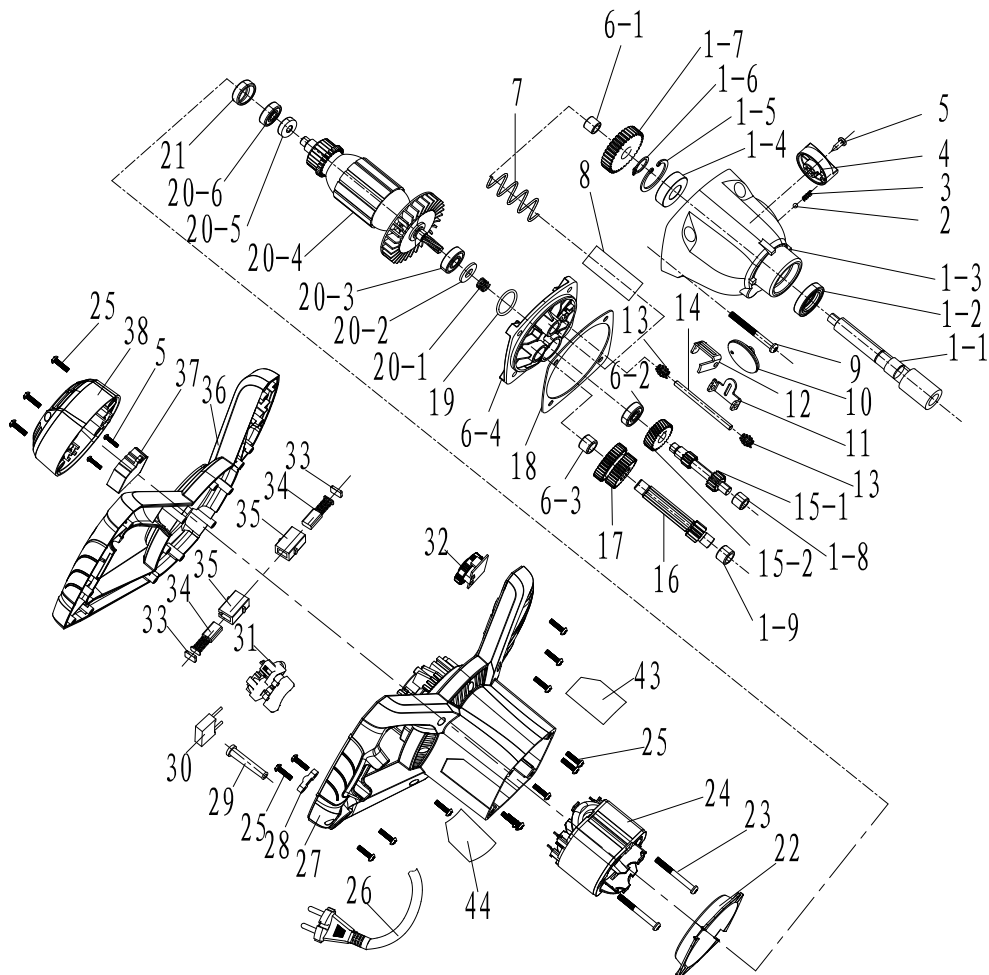


RDP-HM12

Exploded view



RDP-HM12 / Spare parts list

No		Description	QTY
1	1-1	Output shaft	1
	1-2	Oil seal φ22×φ32×7	1
	1-3	Gear box	1
	1-4	Bearing 6002	1
	1-5	Circlip φ32	1
	1-6	Circlip φ15	1
	1-7	Big gear	1
	1-8	Neddle Bearing HK0810	1
	1-9	Neddle bearing HK1010	1
2		Steel ball φ3.96	1
3		Spring	1
4		Shift knob	1
5		Screw ST3×12	3
6	6-1	Neddle Bearing HK0810	1
	6-2	Bearing 608	1
	6-3	Neddle bearing HK1010	1
	6-4	Middle cover	1
7		Spring	1
8		Grease pipe	1
9		Screw ST5×35	4
10		Shift driveplate	1
11		Shift fork A	1
12		Shift fork B	1
13		Spring	2
14		Guide rail	1
15	15-1	Main shaft	1
	15-2	Diagonal gear	1
16		Sub shaft	1
17		Double gear	1
18		Paper washer	1
19		O ring φ27×2	1
20	20-1	Spring	1
	20-2	Wool loop φ18×φ9×2.5	1
	20-3	Bearing 609RS	1
	20-4	Rotor	1
	20-5	Magnetic ring	1
	20-6	Bearing 608Z3	1
21		Bearing sleeve 608	1
22		Anti-wind ring	1
23		Screw ST4.8×55	2
24		Stator	1
25		Screw ST4×16-F	22
26		VDE plug with 2m PVC Cable	1
27		Housing	1
28		Cable plate	1
29		Cable sleeve	1
30		Capacitor	1
31		Switch trigger	1
		switch base	1
		Switch self-locking b	1
		Self locking button s	1
		Switch self-locking p	1
		metal plate	1
		switch	1
32		Potentiometer	1
		speed adjustable wheel	1
33		Brush cover	2
34		Carbon brush 10.5×7×19	2
35		Brush holder	2
36		Handle cover	1
37		constant speed control	1
38		Back cover	1
39		Wrench	1
40		Wrench	1
41		Paddle rod	1
42		Paddle fan	1
43		LOGO label	1
44		parameter label	1